

HERBOLD



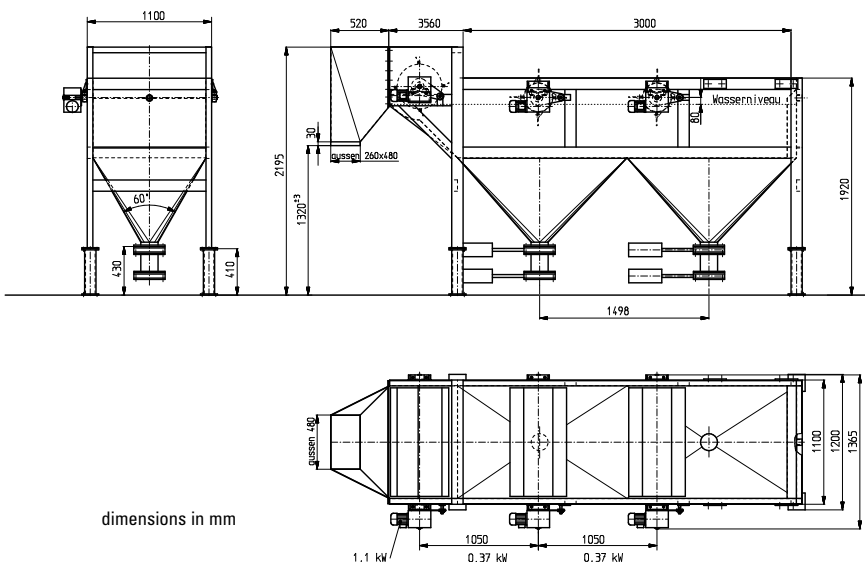
Separation tank (Swim-sink)

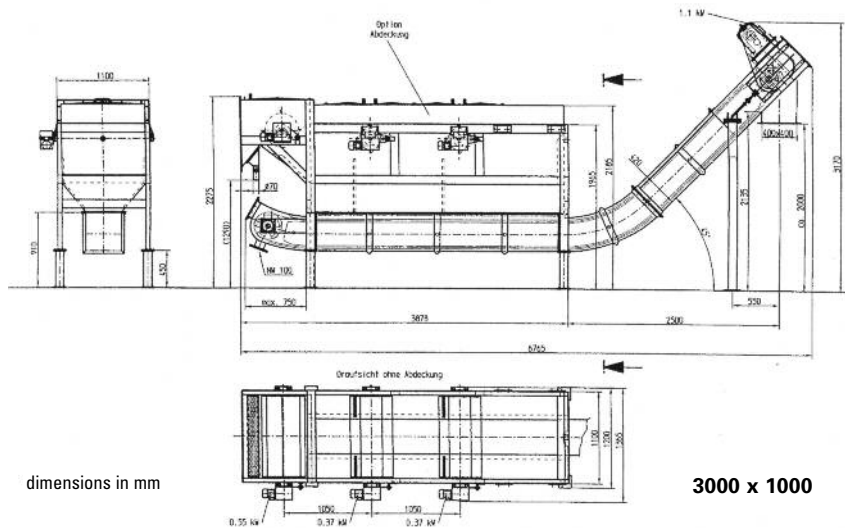
Swim-sink tanks use the different specific weights of the various kinds of plastics to separate them. Typical applications are the separation of PET or PVC (both sink) from polyolefines, such as PE or PP (both of them swim). The light fraction is transported along the surface of the water by means of paddle drums to a discharge conveyor; the heavy fraction are extracted – depending on its amount – either by a pair of pneumatic valves at the bottom of the tank or by a scrape conveyor mounted below the tank.



Technical data:				
Separation tank (l x w)	2000 x 800 mm	3000 x 1000 mm	3000 x 1000 mm	4000 x 1800 mm
Drives (kW)				
2 transport drums	0,75	0,75	0,75	1,1
3 transport drums	/	/	/	1,1
1 discharge drive	0,75	0,75	1,1	3,0
Total power of drives (kW)	1,1 - 1,5	3 - 4	6 - 8	8 - 11
Discharge with scraping chain conveyor	N/A	N/A	inkl.	inkl.
Troughput (t/h)				
Hard plastic	ca. 2,5	ca. 3,0	ca. 3,0	ca. 4 - 5
Film	/	0,5 - 0,7	/	0,7 - 1,0
PET flake	see seperate Information Sheet			

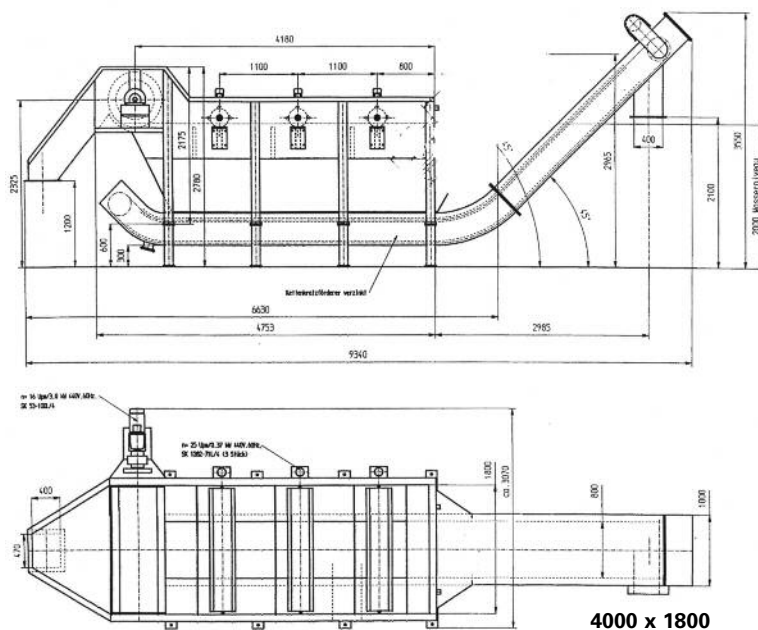
Special features:





dimensions in mm

3000 x 1000



dimensions in mm

4000 x 1800



Our Product Range

- Guillotines
- Shredders
- Hammer mills
- Granulators
- Pulverizing systems
- Washing systems & components
- Plastcompactors/agglomerators

Herbold Meckesheim GmbH

Industriestr. 33
 74909 Meckesheim
 Postfach 1218
 74908 Meckesheim
 Deutschland
 Tel.: + 49 (0) 6226/932-0
 Fax: + 49 (0) 6226/932-495
 E-Mail: herbold@herbold.com
 Internet: www.herbold.com

Our subsidiary:

Herbold Meckesheim USA

Resource Recycling Systems Inc.

130 Industrial Drive
 North Smithfield, RI 02896, USA
 P.O. Box 239
 Slatersville, RI 02876, USA
 Tel.: +1 401 597/5500
 Toll-free (US/CDN): +1 888/612 RRSI (7774)
 Fax: +1 401 597/5535
 E-Mail: info@herboldusa.com
 Internet: www.herboldusa.com