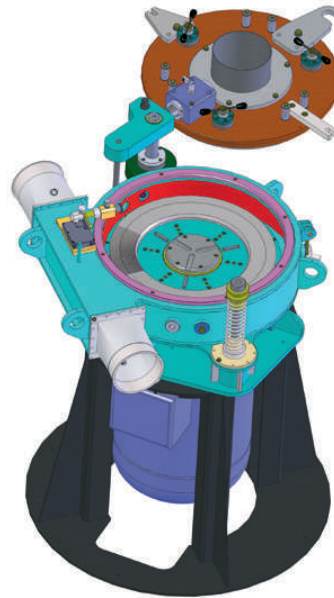


## The new HERBOLD Pulverizer Type PU 650

The new Herbold Pulverizer PU 650 has a vertically placed drive and horizontal grinding tools - the ideal pulverizer for high performances.

### Advantages of this series:

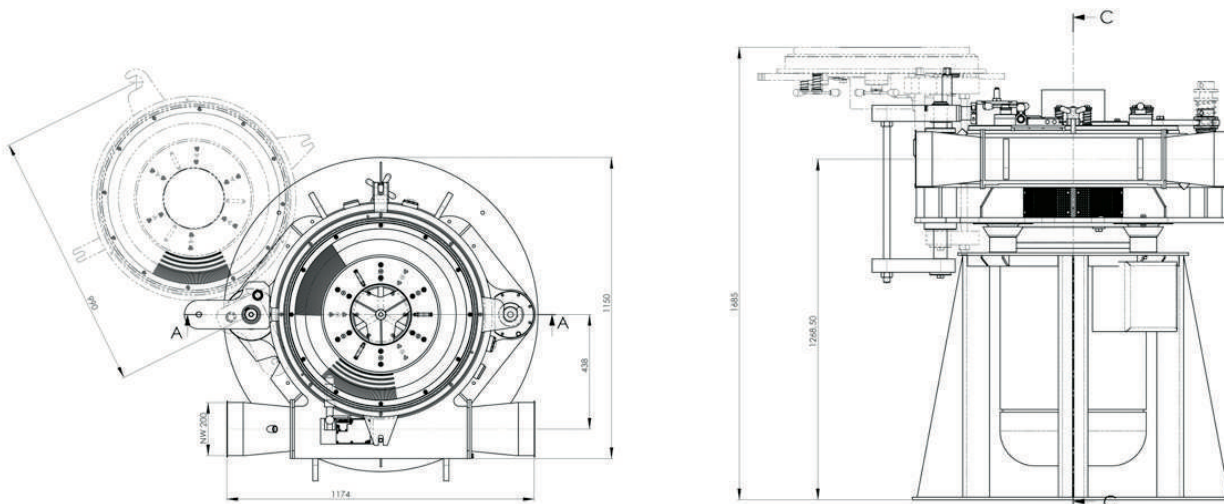
- Solid and fracture-proof welded steel construction
- Direct drive, no belt wear and tear, no additional transverse forces on the bearings
- Standard bearing temperature control, early detection of damages to the bearings, automatic switch off of the pulverizer
- Each disc manufactured in one single piece, thus ensuring an exact grinding gap adjustment and smaller grinding gaps; considerably fewer rejected oversized particles
- Patented special discs for special applications
- Easy change of tools due to the horizontal configuration of the grinding chamber
- High throughput rates
- Compact, space-saving design
- Discs with considerably higher re-sharpening volume, up to 20 regrinds possible – thus significantly lower operating costs
- The PU 650 can be equipped with motors from 75 to 90 kW



## Examples for throughput capacities:

Rigid PVC	ca. 800 micron	700 – 1500 kg/h
HIPS	ca. 800 micron	700 – 1100 kg/h
HDPE	ca. 800 micron	1000 – 1400 kg/h
PC	ca. 800 micron	700 – 1000 kg/h
ABS	ca. 800 micron	400 – 680 kg/h

Capacities depend on the quality and size of infeed material and on the condition of the pulverising tools as well as on the motorisation.



### Our Product Range

#### Size Reduction

- › Shredder
- › Granulators
- › Pulverizing Systems

#### Washing / Separation Systems & Components

- › Pre-washing Units
- › Friction Washers
- › Separation Tanks and Hydrocyclones
- › Mechanical and Thermal Drying
- › Water Processing

#### Agglomeration

- › Plastcompactors

#### Service

- › Parts and Overhauls
- › Inspections and Trouble Shooting
- › Upgrades and Performance Service

#### HERBOLD Meckesheim GmbH

Industriestr. 33 • 74909 Meckesheim • Fon: + 49 (0) 6226 / 932-0 • Mail: HERBOLD@HERBOLD.com • Web: www.HERBOLD.com

Specifications are not binding and subject to change without notice. 10 / 2019