

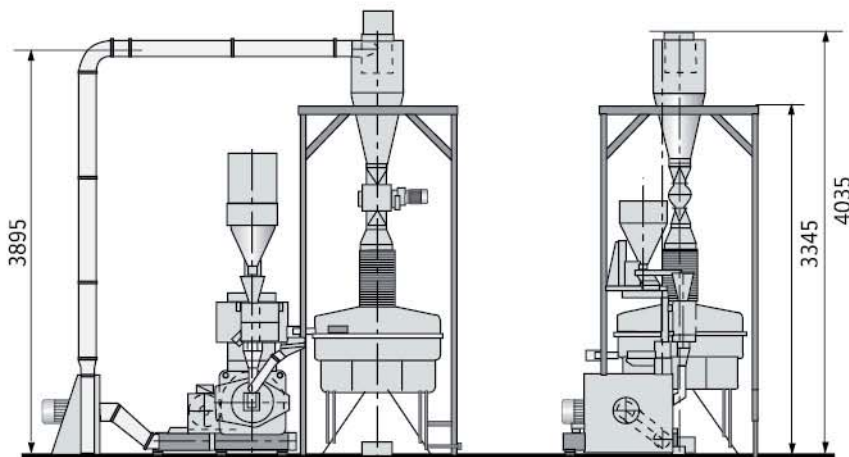
Pulverizers

PU Series



*Pulverizer type PU 500
with toothed discs*

- compact and space-saving design
- short material dwell time in the grinding chamber
- universal adaptability to different fine grinding applications
- easy changing of grinding tools
- optimum adjustment of the grinding gap from outside the machine



Fine grinding system with metal separator and screening machine

Fine grinding with or without screening machine

For many products, the requested fineness will be achieved in one pass. But if necessary, the pulverizer can be equipped at the discharge end with a screening machine and the oversized material automatically refed into the pulverizer.

Advantages of the Herbold pulverizers

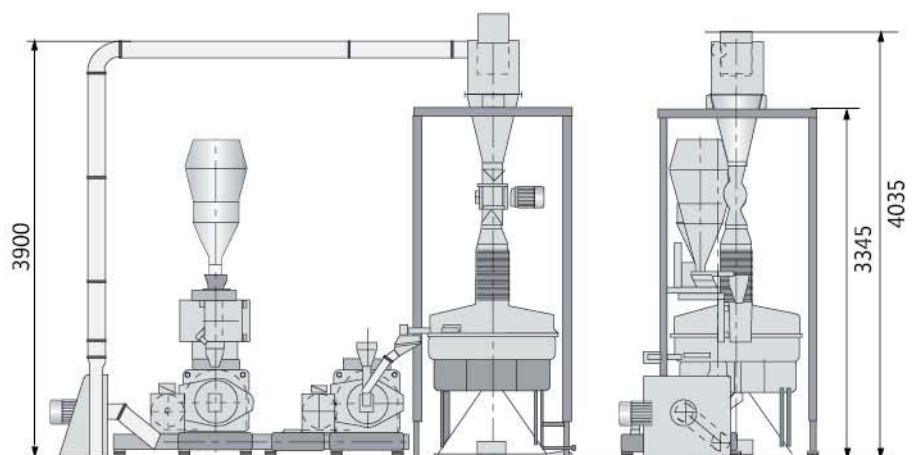
- Short material dwell time in the grinding chamber, preventing the product from being overheated.
- Easy changing of the grinding tools. The one-piece design ensures a quick exchange without protracted adjustment works or dismantlement of machinery parts.
- The compact welded steel construction does not require much space.
- Optimum adjustment of the grinding gap from outside the machine using a feeler gauge. The gap between the toothed discs is easily set from outside the pulverizer, with the machine closed, by means of adjusting bolts and a feeler gauge.
- The high fine grinding performances of the different series with an excellent powder quality guarantee an outstanding price-performance ratio and quick amortization.

High quality and throughput with the PU 500 Twin system

e.g. for the production of LLDPE powder for rotational molding:
At a throughput of 500 kg/h and 100 % fineness below 500 µm optimum flow characteristics and bulk density are achieved.

This result is produced by pulverizing the product in two separate machines:

- 1st pulverizer - fine grinding
- 2nd pulverizer - fine grinding of the oversized material



PU 500 Twin system with screening machine

A Convincing Fine Grinding Technology For High Quality Powder

Herbold pulverizers of the PU series are high speed grinders for pulverizing different kinds of materials, as e.g.

- ground stock from pipes, profiles and other extruded products
- film
- PE-virgin material for rotational molding and coating
- vulcanized rubber granulate
- amorphous and brittle products from
 - food and
 - chemical industry

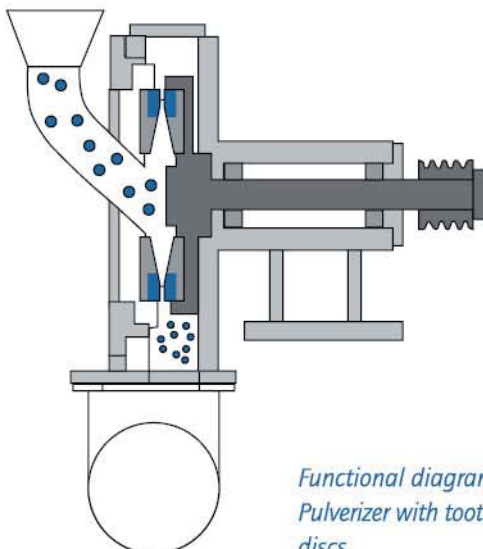


PU 300 with dosing unit and metal separator

Examples of achieved throughputs

Material	Fineness	Throughput PU 300	Throughput PU 500	Throughput PU 500 Twin
LDPE	100 % < 500 μ with screening machine	150 kg/h	250 kg/h	500 kg/h
Rigid PVC Pipe quality	100 % < 600 μ with screening machine	300 kg/h	600 kg/h	1200 kg/h
Rigid PVC Pipe quality	96 % < 800 μ	400 kg/h	800 kg/h	1600 kg/h

The performance data are approximate values depending upon the material quality, size of the infeed material, and condition of the grinding tools.



Functional diagram
Pulverizer with toothed discs

Mode of working

The material to be pulverized is centrally fed into the grinder via a dosing unit. Feeding is overload controlled.

If toothed discs are used, the infeed material is pulverized between the rotating and the fixed toothed disc and then evacuated by suction from the grinding chamber.

The Herbold Fine Grinding Technology: A Convincing, User-Oriented Machinery Concept

- Different products require different tools for fine grinding. Depending on the product and fineness requirements the Herbold pulverizers are supplied with the most appropriate and proven grinding tools.



Wing beater

The most robust variation for coarse grained infeed material or substances with adherent foreign bodies. The same screen and grinding fittings as for the turborotor are available.

Turborotor

Suitable for all abrasive and toughly resilient materials e.g. sugar, rubber, etc. The pulverizer is fitted with a 360° screen basket or a grinding track, or a combination of both.



Pinned discs

Suitable for all greasy and heat-sensitive materials and also for cryogenic grinding to obtain an ultra-fine grain. Optionally available with a drive for one disc or with two drives for both discs.

Herbold Size Reduction Technology
A finished program for grinding and recycling
a great variety of wastes and products.

Herbold pulverizers (available sizes)

Type	Rotor o mm (inch)	Drive KW (HP)	Weight kg (lbs)	Capacity kg/h (lbs/hr)
PU 180	180	7.5 (10)	700	20-100
PU 300	300	22-30 (30-40)	1000	50-500
PU 500	500	45-75 (55-100)	1800	150-1000
PU 650	650	75-90 (100-125)	1800	300-2000
PU 800	800	90-132 (125-180)	3000	300-2000
PU 900	900	max. 110 (150)	4500	500-2500
PU 1250	1250	max. 200 (300)	5500	800-3500

Specifications are not binding and subject to change without notice.

Our product range

- Granulators
- Pulverizing systems
- Shredders
- HOG Shredders
- Hammer mills
- Guillotines
- Washing systems
- Plastcompactors



Herbold Meckesheim GmbH
Industriestraße 33
D-74909 Meckesheim
Postfach 1218
D-74908 Meckesheim
Tel.: + 49 (0) 6226/ 932 - 0
Fax: + 49 (0) 6226/ 932 - 495
E-Mail: Herbold@Herbold.com
Internet: www.Herbold.com

Herbold Meckesheim USA
Resource Recycling Systems Inc.
333 George Washington Highway,
USA-Smithfield,
Rhode Island, 02917
Phone: + 1 401 232 3354
Fax: + 1 401 232 5425
email: info@herboldusa.net
www.herboldusa.net