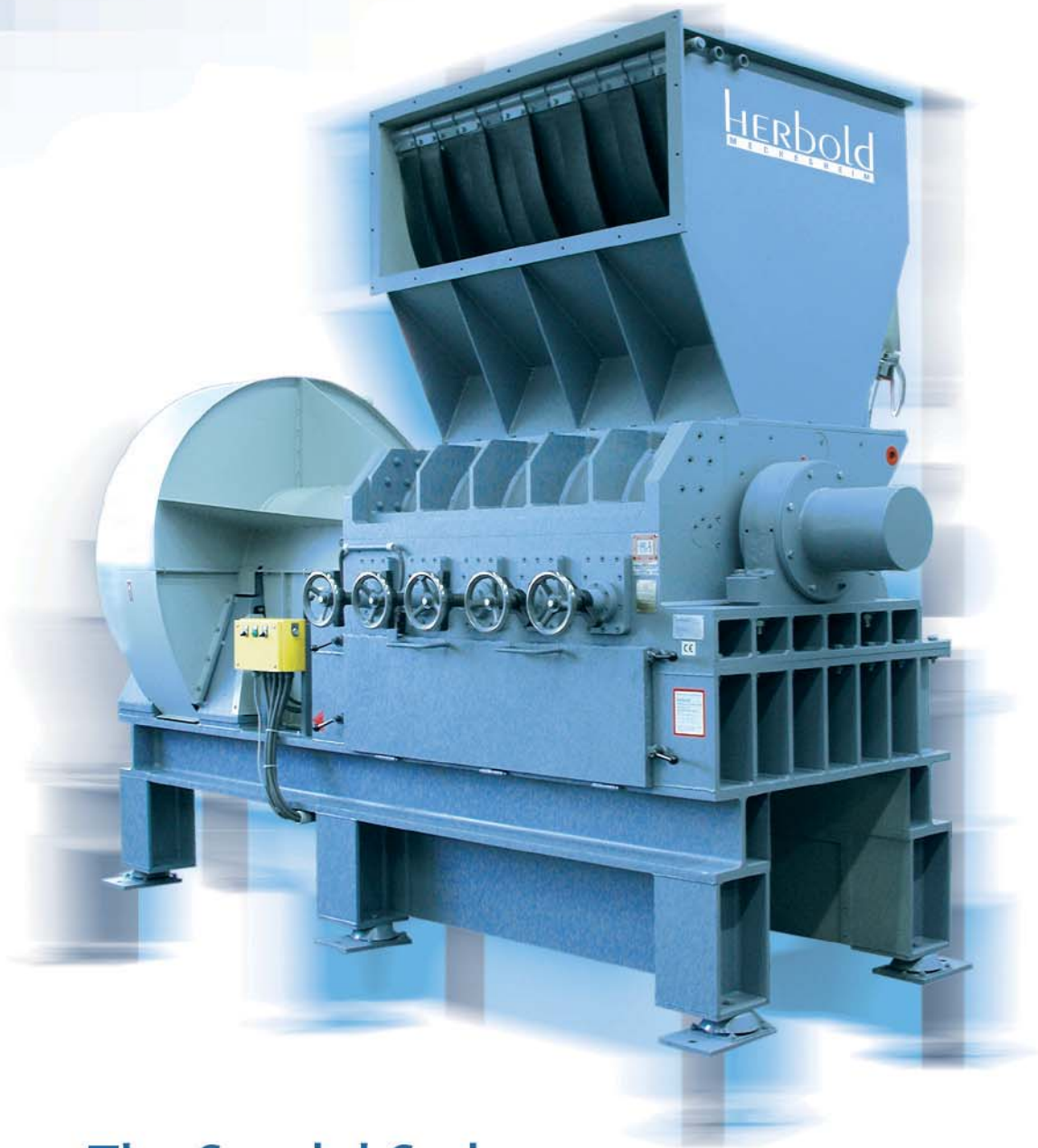


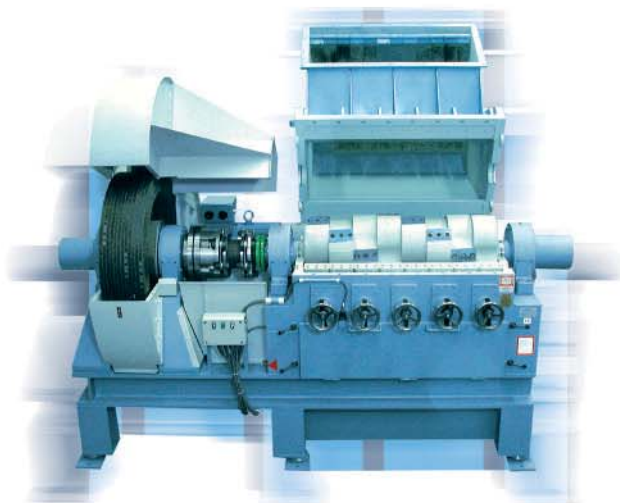
# Herbold HOG-Shredder Series HGM



## The Special Series: Low Speed HOG-Shredders

- HERBOLD Meckesheim GmbH has extended their series of low-speed HOG-shredders: now available in four sizes

HGM 60/100 and HGM 60/145  
HGM 80/160 and HGM 100/210



View into the cutting chamber of a HOG-shredder, series HGM

### Application range

- HOG-shredders of the HGM series have been developed for the reduction of difficult, especially tough material or material containing tramp material. To make use of the friction during the size-reduction process for washing purposes, the shredders of this series may also be used for wet operation.

### Applications (if possible to be treated pre-crushed)

- Post-consumer and industrial waste, bulky refuse
- Refuse-derived fuels (RDF)
- Computer, electrical and electronic waste (WEEE) (Electrical motors up to 1.5 kg, transformers up to 3 kg)
- Tires (passenger cars, trucks, earth-moving machines), rubber waste, rubber/metal composites
- Aluminium waste (cuttings, cast parts, profiles, cans, film, punchings)
- Batteries
- Scrap from end-of-life fridges (ELF)
- Cable scrap with or without steel reinforcement or underground cables
- Oil filters
- Metal and plastic barrels, empty or full
- Plastic waste (agricultural film, fibers, PET bottles), metal reinforced plastics
- Files, paper, folders
- Rejects
- Textiles, fibers, carpets

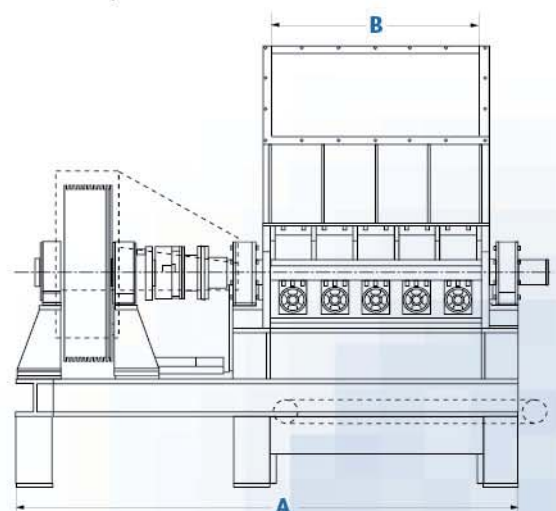
Single piece of scrap, unhardened metal up to 20 mm in diameter.

### Design

- The HOG-shredder is equipped with a heavy-duty full-steel rotor with a short segmented knife in a helical pattern.  
The inside of the machine is supplied with bolted wear-plates.
- The centrally divided housing which is hydraulically operated simplifies the access to the cutting chamber for cleaning and maintenance.
- The screen cradle is located in the bottom section of the housing. Hydraulics are used to raise and lower the screen cradle secured by a clamping device.
- Rotor bearings in pillow block housings completely outside the cutting chamber. Thus dirt and foreign material cannot penetrate the bearings, and grease cannot contaminate the product. This bearing design is also suitable for wet grinding.
- Cassette knives: The knives are mounted in a cassette and not directly on the rotor or stator. If the knives are not installed correctly only the cassette has to be changed – no further adjustment of the rotor is necessary.  
Low cost replacement spare parts and quick installation.

### Different types of the HGM series

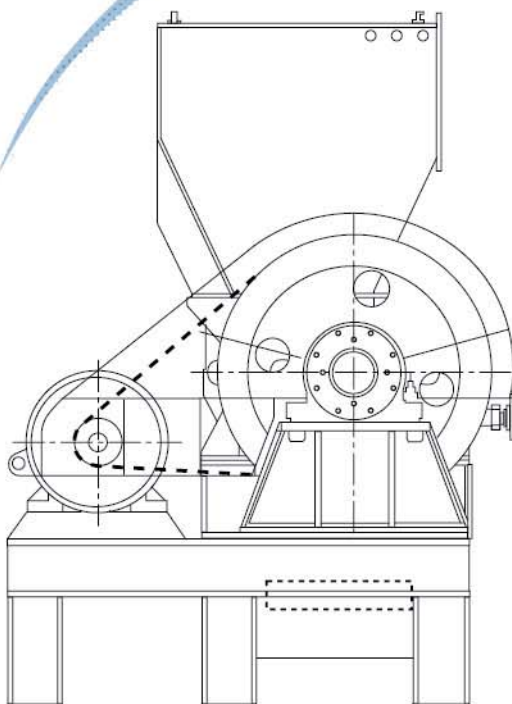
Type	A in mm	B in mm
HGM 60/100	3010	1020
HGM 60/145	3410	1420
HGM 80/160	4100	1600
HGM 100/210	4600	2100



# User-friendly HOG-shredders

## Advantages of the HGM series

- Insensitive to foreign bodies due to an integrated shear pin coupling
- Smooth running due to the massive full-steel rotor and the V-belt drive
- Longer knife life
- Inexpensive knife design
- Armour-plated housing
- Excellent access to the rotor and the cutting knives due to a horizontally divided housing
- Low-speed operation, less fines, dust and noise
- Wet operation
- Optionally available with automatically adjustable stator knife



### Functional mode:

The Herbold-HOG shredder of the HGM series is a single-rotor size-reduction machine. It presents the combination of a granulator and shredder combining the advantages of both:

### advantages - granulator:

- equipped with knives
- size-reduces by cutting
- has a screen  
(suited for small screen hole sizes!)

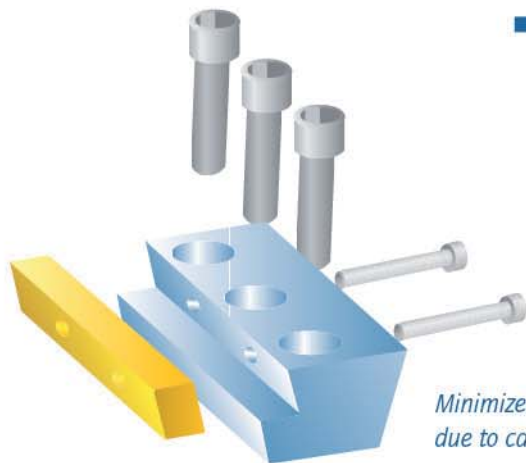
### advantages - shredder:

- relatively insensitive to foreign bodies
- cuts with a large cutting angle
- operates at reduced speed

The HOG-shredder of the HGM series has been designed heavier than conventional granulators and shredders; rotor can be changed within 90 minutes.

## Technical Data

Type	HGM 60/100	HGM 60/145	HGM 80/160	HGM 100/210
Feed opening	approx. 630 x 1050	approx. 630 x 1420	approx. 800 x 1600	approx. 1000 x 2100
Rotor design	V3	V3	V3	V5
Rotor knives (175 mm lg.)	18	24	27	50
Stator knives (175 mm lg.)	6 x 2	8 x 2	9 x 2	12 x 3
Rotational speed in rpm	200	200	200	200
Drive power in kW/HP	75	90	132 (max. 200)	200 (max. 315)
Drive type	V-belt	V-belt	V-belt	V-belt
Overload protection	shear pin coupling	shear pin coupling	shear pin coupling	shear pin coupling
Armoured housing	standard	standard	standard	standard
Hydraulic swivelling of the screen support	standard	standard	standard	standard
Hydraulic opening of the housing	standard	standard	standard	standard
Number of screens	2	2	2	2
Weight	approx. 12.5 t	approx. 14 t	approx. 18.3 t	approx. 20.5 t
Options:				
Stator-knife block with a 3rd row of knives	on request	on request	on request	on request
Gear transmission	on request	on request	on request	on request



### ■ Rotor knives

Knives are made of tool steel; knife holders with interchangeable inserts may be mounted in the knife insertion pouches on the rotor. Depending on the use of the machine the knives can repeatedly be resharpened (with normal material) or - after turning them once - have to be replaced (with very fine material).

*Minimized tool costs  
due to cassette knives*

### ■ Stator knives

In the lower section of the housing 2 rows of stator knives have been mounted. The front of the housing's upper section can be exchanged; a holding fixture for additional stator knives may be fitted here, if required by the intended use of the machine.

The stator knives are mounted in adjustable knife holders: Before changing the knives these stator knife holders are equipped with the knives and adjusted in an adjustment jig outside the machine. So, after mounting the holders in the machine no further adjustments will be required and still a relatively precise cutting gap will be ensured.

### Our Product Range

- Guillotines
- Shredders
- Hammer mills
- Granulators
- Pulverizing systems
- Washing systems & components
- Plastcompactors/agglomerators



#### Herbold Meckesheim GmbH

Industriestr. 33  
74909 Meckesheim  
Postfach 1218  
74908 Meckesheim  
Deutschland  
Tel.: + 49 (0) 6226/932-0  
Fax: + 49 (0) 6226/932-495  
E-Mail: herbold@herbold.com  
Internet: www.herbold.com

#### Our subsidiary:

#### Herbold Meckesheim USA Resource Recycling Systems Inc.

130 Industrial Drive  
North Smithfield, RI 02896, USA  
P.O. Box 239  
Slatersville, RI 02876, USA  
Tel.: +1 401 597/5500  
Toll-free (US/CDN): +1 888/612 RRSI (7774)  
Fax: +1 401 597/5535  
E-Mail: info@herboldusa.com  
Internet: www.herboldusa.com